

SPECIFICATIONS

DIMENSIONS ARE FOR REFERENCE ONLY
DO NOT USE FOR CONSTRUCTION UNLESS SIGN APPROVED

15 1/8 X 12 1/4 X 32 1/16
+0 / - 1/8

UNIT HOLDS:

- 1- 16 X 20 X 1 PRE FILTER
- 4- 12 X 24 X 1 CARTRIDGES

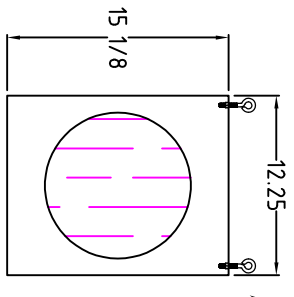
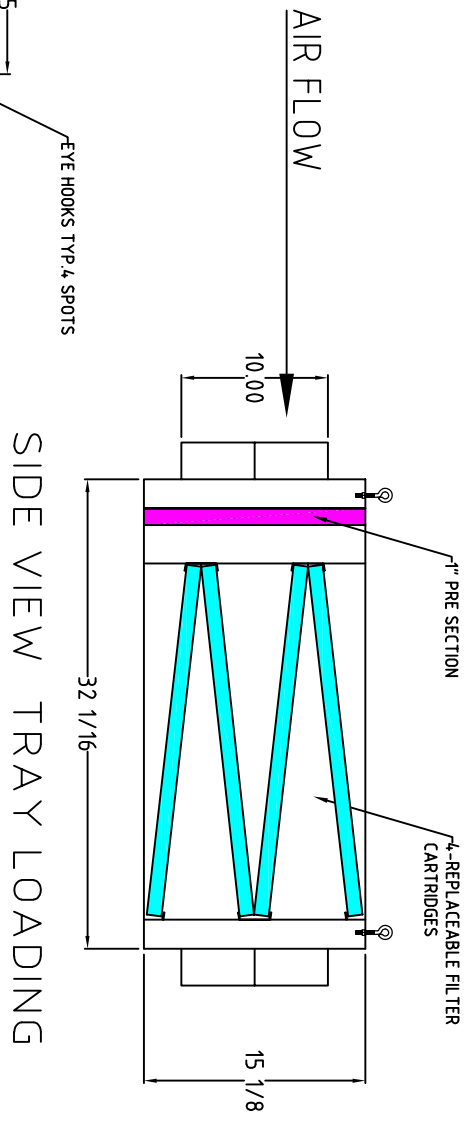
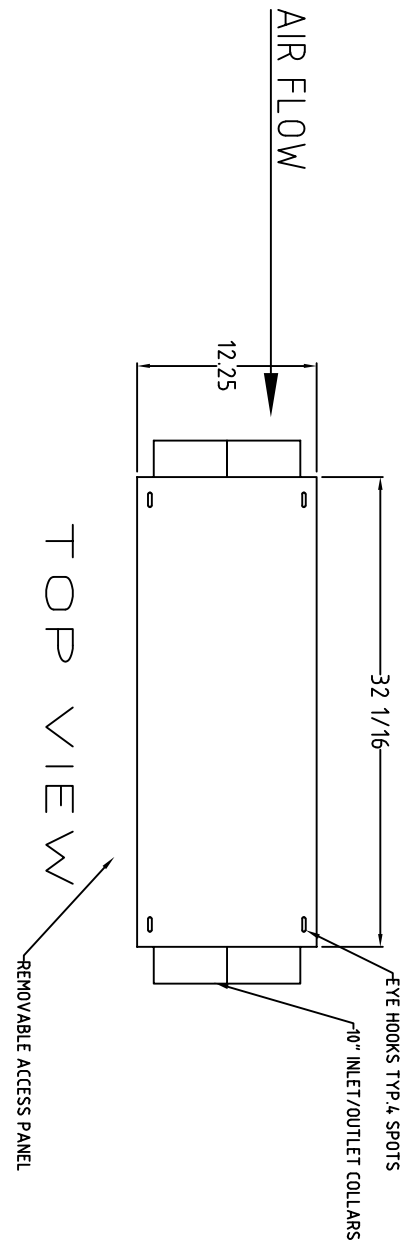
MADE FROM 20 GA. ALUMINIZED
4- HANGING EYE HOOKS

REMOVABLE ACCESS PANEL
TO ACCESS CARTRIDGES

2000 MAX CFM = 250 FPM
.019 RESIDENCE TIME
2.1" W6

TITLE: STEALTH EDITION
AIR BOX 4

SCALE: NTS	DRAWING #	DATE: 03/28/24
DRAWN: SHN	REV: B.	



END VIEW INLET/OUTLET

APPROVED BY:

DATE:

